

ò v '

ò

K

W

I

,

~~PC~~

PC

/Cr6

I

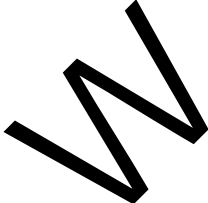
/Å | Cr6, P c | œW

a > ' \$AØµ

0 = I P C0& ' I P .7 μ
 I P C0&Æ(ÿ#wC x D1x*< I P
 .7 Æ

Â = > œ?."x
 S c" P L - ? B1• œÑ6;

? = \$ P a Lt
 ž I ? a



Ã6, PM~G

I P2±a	I P C0& .7	/ Ê>, P	í f2±a	6, P ¶73A÷œ
(ÿ#wCx*< 2±	(ÿ#wC x D1x *<'	p DGf7 μ F EÉP x ! FHP x	1xŽ = ÷ F Ž = ÷ ± Ú Ž = GJ7Ž = * < C] Ž = (ÿ#w' A ÷ ÿ Eœ ' A ÷ μ = c ù < / ÷ Ž = Ø m C x Ž1•	(ÿ#w ; (ÿ#w ; ' A ÷ ÿ Eœ ' A ÷ μ = (ÿ#w ;
			B9Ü Ž = GJE³ Ž = GF7Ž = D < Ž = Ø m C x Ž1•	(ÿ#w ; ' A ÷ ÿ Eœ ' A ÷ μ = (ÿ#w ;
			I #t Ž = ! , : * < Ž = Ø m C x Ž = P x Ž1•	! FHP x Ž = (ÿ #w ;

Ê = / ± \$ = D / ± ú r
 ' 6 μ / ± \$ =

C x < = ů F g P D } œ p 2 G , b I P • 71 í G ð , M~G(ÿ#wC x 7 P Â
 >, P , / ± (ÿ#wC x p q , Á p DGf7 = | ÷ F EÉ = 3L{C] = ! FHC x 1• ' ,
 í = ° = %o = 5Äž M~ < , ° Q 3VC^é p 6; Â ¶73Á ð f - ? 8¥³ , ° 6, PF%b = (g Í ø
 P, ° 2ô" = [B^x Ô, ° ' ' O = > í , ° ù * < ÷ C^, Â (ÿ#wi M~, ° 0.v. Aü = 0 b * <
 AðÂ 0 b ¶73 , - ? Q æ2ô" = I P2ô" = 6, P2ô" Â V2ô" , - = ÔD+73Ñ = 6, P
 F8Ê73Ñ = C x 73Ñ Â %75# < 73Ñ >

' Â μ / ± ú r

b I P" P+UÊ - ? A6, P3V± = I P. AüÂ ¶73Æ



6, P3V± Æ

‘ μ - ? 8¥³ ,° 6, PF%ó , 738 ?ÿF«¾, P# ?ú=?ú99 Â 7 P?ú1 | Ü >

‘ μ. /r = %B , ?CY1 EAü >

‘ μ - ? 0 b,° ðL{ Ú ¶ LU> ’ 73Ñ >

‘ μ - ? 99 6Fé = Ä S69= ° Ä Þ • = ý Ä Q æ,° 2ô” >

| P. AüÂ ¶ 73

‘ μ ¼@(ÿ#wP x,° -. ©# Á=# ?úÂ = ü L?."x1•. Aü >

‘ μ Â n?÷,° (ÿ#w2±Á, ¼@(ÿ#w° 0 b Ö73=>, P)æ(i (ÿ#wP 7 , ° (ÿ#w7 P,° © Á6,73GL Â Í f?."x >

‘ μ Â (ÿ#w7 P F b,° 0 b nÍ. Aü, P S!› AxÍ Þ =F EÉ=G,f7=C] =! FH 1•: < N(ÿ#wC xN-\$,° F b , .æ Ð C x | Co- r >

‘ μ Â F +^(ÿ#wC x Ý ÷:[K6° 0 b ï # , PF >, 1¶ <,° 8 , B9 Â(ÿ#wÝ ÷,° 8 p 6 , - ?E¹ p | x"ÖFP73Ñ >

‘ μ Ö4ùÂ (ÿ#wP x#w0A, 73Â F-. ©’ P 1 x >

‘ μ Â C] ÷ 1x* < | P. Aü, E!Aü: 2±C BC] ÷ =Aü, Â FC] ÷ PÂl = ± Ú1•’ P >

‘ μ - ?E¹ p,° Ø mC x EAü, 73/ : 2±Ø n, ÄAÿD 8Aǻ >, : * <, - ? 6 Ð,° ..B9 Ø m©31,° 73Ñ >

‘ μ P ’ (ÿ#w1x* < E¥, , 73Ö4ùf F >, (ÿ#w : ¥ : * < >

‘ μ Â n?÷(ÿ#wAô = μ + ^ = n5* Ú ± ¶ e >

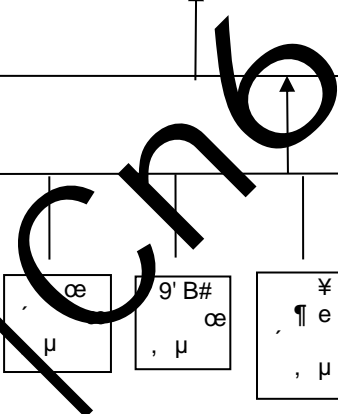
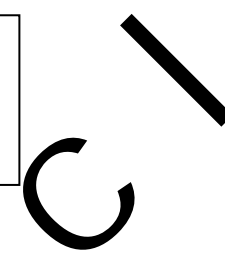
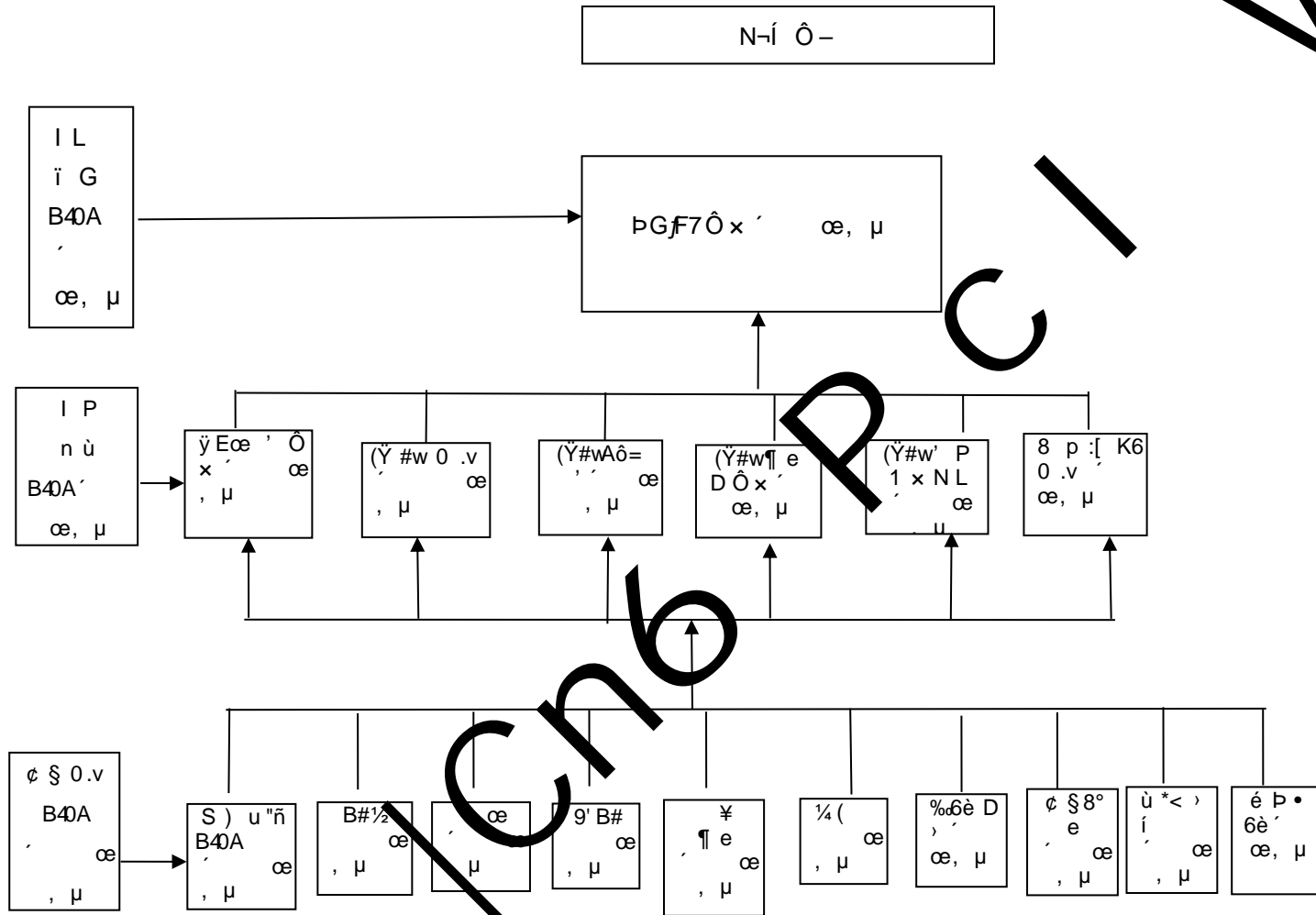
‘ μ Ö4ùÂ : 0 Ô ç / ô = n + ^,° Ô ç E¥, μ + ^ >

£ = q?· Ü5# | P

Q6, Ææ (ÿ#w1x* = 9¥ - 5 : [D1x* < = | 7 P1x* < = ° 73(ÿ#w¶ e = "j D% EÉ ç ž 1x* < = Lü> ð F EÉ x* < = © x D L Cn1x* < = 3L{5 #, DCnl = F K75 : [D1x* <

b0 Æ(ÿ#w1x* < = (ÿ#w 0A

3 = B40A5 °



F? \$ B40A' œ, µ
 6 = ç § 0.v F? \$ B4'
 œ, µ
 c „ N/ö V5 ½ L '
 œ, µ
 +U³ • 6è' ¿ ž • 6èµ
 ' œ, µ
 6, P3V±' V2ô" =
 é W2ô" µ ' œ, µ
 Ê =
 Â = I PF? \$ ' œ, µ
 ! FH0.v ' œ, µ
 ! FHÔ x ' œ, µ
 +k † | x 0.v ' œ
 , µ
 (ÿ#w ;' œ, µ
 (ÿ#wØ m C x ' œ
 , µ
 ? = 6, P ¶ 73Hª Ð
 (ÿ#w C x > I N ¶ 73
 A ÷ œ
 ; ÿ#w 6, P ¶ 731 • 4Ý
 A ÷ œ S4Ý

Å - B40AC0&

B40Aq?· » i Å?·"x

B4,

FPEýbG < » i ,⁰ œ- , œ+U73 U ¼@Pç• S q •
 (œ0 b Õ* < , F +^EßA÷e (ÿ q • Å ¼ (e (ÿ q • ?ø&i
 AÚÄL+, , • 7 ÔD+1b6,⁰ ?ø&i , 6 = ÔL{ 0 = Ô
 S u ? Æ(œ Á"x e , œP+^ - %L\$NÎ - %o < Æ1• i # , !™.x AÚÄt
 D ð+U PL\$NÎ , < ÆÂ : * < ` ð FKµc,⁰ ð+UL\$NÎ , ^ +U#q c œ,
 • 0!™.x,⁰ - r Z ã Å>, pF? , 8 ?ÿ N ç ÅD⇒, /t P
 q • n ù - r ?ø , p ~ F!™.x,⁰ L+, ?ø = ð+U?ø Å - r
 ?ø - Ð 0.v >

FPEýbG < » i ,⁰ œ- , œ+U73 U* < @ ž M~Ó# "ñ 3,⁰
 q-\$ = , ¼@ G3 æ, Ö p ç "GF%ó 0Aô=D⇒, 6, PF%ó
 S u ÆB, P,⁰ q?· » i -H?· E • Ç73 U Å Ö p6, PF%ó \$ ±,⁰ q
 F%ó D# "ñ ?· i # , S!› - = Ó# 5* y Å ? Å ø D ç § Á x,⁰ 73Ñ Ç73 œ,
 U o x/t P < MØ· =5 >8 DáÔL{ , F%ó Å# Á,⁰ ?·"x
 ?ú998 ' ,⁰ @6, , • ¾F%ó ?ú99 = @# œ# ¾# +^# ,⁰ 3
 ç "G>



B#½

Á -	B40AC0&	B40Aq?· » ĩ Á?·"x	B4,
	%6è D › í	<p>FFEý0 œ= 2 Â ĩ È %6èKq&dÉy0A, / ± œ+Uº › í ð r = Ô p %733VC^= Q 52>6, P73Ñ, ± F4pDá Á %6è Kq&ò° EAü=73Ñ D – %, Q+U#qC^H, p ž M~ùF œ+U Dá%oo› í = ù* < › í Â/t PF8Ê73Ñ C ></p>	œ,
	9' B#	<p>ž MTCe± •,º • 6è ĩ J¾, :s Ô1 í G ð o b 1 x, ^ • x • 6è,º 0.v @, F 6! › %ö œ+Uº B#œ–,º a CÛ, d ß œ+UÂ 9' B#0.v. AüÂ9' B#F +^,º 0 b ¶73, ‹ 9' B#œ0 n ù3V ± ´ ; a6, pB#@BÖFP= S5* \$ 8 U. =D ½L* < @ Â8 q œ – µ, p œ+Uº 6, P+U#â=5 5#œ– Â4pDá ‹ – Ð 0.v ></p>	œ,
	¼ (<p>Aßœ+U¼@ e(ÿ (?º 0 b ?œ& ĩ D ĩ #, ; " +Uÿ Ñ Â+U Ý ©31 • L*,º EßA÷©31= ð "G5ÚM^/t P ‹ c,º H?· ' + 1•, S! › ~ F!™œ,º ¼ (?º, – < e(ÿ (?º pAUAüÂ@ é)æ ÔL\$NÍ,º = 2 S) > Aßœ+U73UG1 !™œ,º 3 ĩ ?º, Ô p / O 3,º AÚB U, ~ F / c „, "G ,º AÚB Â!™œ,º "G ?º, K.(c „, "G § B %oEAü, µ œ+U¼@ –AÚB c „, N/ö V5 ½L =M ³ ½L =t P q • ~F ½L, K 2 œ+UV µ "G "J8, = P9' LŮ'J, , Ú c 3 § Ý •,º N½ = AÚB/t P q • n ù - r ?º, G1 c 3(8"/t P q • F%œ% = * < Aœ = l Ü8 = ½L 8 ></p>	œ,
	ø §8º e	<p>• 7:s Ô1 í G ð o b 1 x, K 2 œ+UFFEý8 q = > ' = Ø0-1• ĩ E ø D8º e H°C. D8º e ÔD#qP, ‹ 8º e U. = x 5ÄZ ā = QE>žEôÂ ½L* < @8º e œ0 n ù3V± > • œ» ĩ e 0.v W• Â ‹ W• ZG <º F, • œ?·"x e:s ÔB40A\$ =, / ± œ+U8º e œ0 n ù3V±,º H?·E³%o> Ê ÖpB40AJ0–, ?'• bB40A= ü, 5 > l P Â œ+U~ & ĩ, F? • œ» ĩ, l Ð • œ\$ =, Gy ? ~,º • œ1œ›, d ß œ+U/ 6è8º e œ0 n ù 3V±, Q • œC^H ></p>	œ,
	ù* < › í	<p>0 Ä/t P ‹ / c6, œ+Uù* < 3VC^ ‹ 0,º æ?·"x ù* < ÂBF, LFH ù* < › í. Aü, K 2 œ+UG1 ù* < › í EAü, Â ù* < B9F8 ĩ #, d ß œ+U™œ : * < +U#q = œ– = FKµÂ"x 6, g P c F} f,º L\$NÍ, / 6è8 1 8 p = ø P †5Úº ù* < ÷ C^Â 8 @ß = * <] ©Â = 0% G @º 8≠³ ù 7, o œ/t P ‹ M ?· Â œ+Uù* < (& ĩ F >, 6, P+U#â = 2, p6, P+U#â ‹ – Ð 0 .v ></p>	œ,

Á - B40AC0&

B40Aq?· » ĩ Â?·"x

B4,

é p • 6è#ë +U#q¶73=• é p=0 ¶ é p=QE é p=

« é p=6, P?úH= é p3V±1• » ĩ > q?· ; " n+U#qé

p • 6è=+UÝ é p • 6èÂ C x] é p • 6è? ` ĩ M~> ¬ c ,

é p • 6è n+U#qé p • 6èAßœ+U C é` ð+U#qÁ x : * < , / ±8¥³ +U#q

- %Â j +U- % , p L8 1 8 p EAüÇ+UÝ é p • 6èAßœ+U% œ,

PÂ ÒP+UÝ QFV(ŸC'CX ,° Ey0A, Ôp Ý ÷C'H EAü , %oP

© é p c,° U] Ç C x] é p • 6è# HAßœ+U_+^v œ Aĭ

¶73, C x ð Â/t P , p L/t PCY1 U >

Ôp œ+U/ c ,, N/ö V5 ½L,° * <] AÜüPH&ĭ , K 2

œ+UU Õ c ,, N/ö V5 ½L,° 2ô" »#ë, Ôp œ+U/ c ,, N/ö

c ,, N/ö V5 V5 ½L,° 8 ù > K 2 œ+U\$' › * < @ c ,, "G 6\$' "¿,° 2ô

½L /" F3'x , * ÖžM~Ø?øf AÜü%o c 3 , -A » LG L+, , AÜĭ œ,

3 ĩ fFJ³ F D ` ð - r Ô)æ° 5 ©31 , 8 ?ÿ5* Ú 3 ĩ ,° @

[= ¿ ž Â _ - >

/ ± œ+U¼@+U³ b %±Už# ' Ð U "yr ,

+U³ • 6è ¿
ž • 6èµ

Á -	B40AC0&	B40Aq?· » ĩ ?·"x	B4,
	(Ÿ#wŸ e D Ô5 x	¼@ (Ÿ#w0 b Ô* < , * < @ (Ÿ#w~ - 7 Ô* < Ç Â (Ÿ#w81 ,° #wP =5‡5 Â Ô73?·3VÇ PF >,1Ÿ < ,° ÉF?v = É 9 v = P f5L7 Ç73o ðAØ F? >F8° C]i E Ç P i l C]F < =F >, (Ÿ#wi ðGŸü>	œ,
	(Ÿ#w' P 1 x NL	* < @ (Ÿ#w' P- . ©,° 0.v. Aü, œP / P' P =F EÉ' P =Gf7' PF >, NL , - l ' - . É,° P' PAxH =F EÉ' PAxH =Gf7' PAxH >	œ,
	8 p : [K60.v	¼@ 8 p : [K6° n ù , + Â : [K6° < + Â 8 p < Æ° 0 b Ô* < Â ĩ # ¼@ 8 p 4ü < = 8 p F? = 8 p ð f,° 0 b Ô* < ¼@ 8 p : [K6ü >,° 0 b Ô* < , Â Ô ó : [K6ü > 10 +),° 0 b ĩ # >	œ,

I P' ¶73µ ĩ GB4

Á -	B40A\$ =	B40Aq?· » ĩ ?·"x	B4,
	P Gf7Ô x	¼@ P 7 P,° Aðl —, =0AÂ =4ú4ý5 ° = í f Aðð Â P x » ĩ Ç Â P 7 PC](Ÿ > É' P =C](Ÿ ^ É1x* < = C](Ÿ 0 É' P =C](Ÿ Gf7' P (!Â ÷ P' P#w0AÂ# E ÁN Ç73?· 7 P?·"x Â F' P 1 x > ¼@ Gf77 P,° Aðl —, =0AÂ =4ú4ý5 ° = í f Aðð Â P x » ĩ Ç Â P 7 PC](Ÿ > É' P =C](Ÿ ^ É1x* < =C](Ÿ 0 É' P =C](Ÿ Gf7 ' P (!Â ÷ P' P#w0AÂ# E ÁN Ç73?· 7 P?·"x Â F' P 1 x >	œ,

I PF? \$B4

Á -	B40AC0&	B40Aq?· » ĩ Â?·"x	B4,
	! FH0.v	¼@ ! FHC x e B# = ! FH7 P2±Á =3 » L ! FHP x 0 2± = ! FHC x = ü Ç73F +^! FH. ©# Á# ?ú : * < ! FH P ¿Aä >	œ,
	! FHÔ x	Â ! FHÛ < = ! , l Â#f7' P,° ¶ Ç73o ðM6 "x F >, ! , < = 8 n , : * < = ! , Â D D' ' P	œ,
	+k † x 0.v	¼@ +k † x-. ©# Á# ?ú = >, P u10A5‡5 ¿ ž. AüÇ ¼@5‡5 M,d 8 p,° 0 b (& ĩ , +k † x % % % & = & & • @ Á +k † x F : [WE ÇÂ 5‡5 M,d,° q?· Ú l #v 0A, 73F >, 5‡5 û ¥,° : * < Ö Ç Ö ¿ 5‡ @K, >, Â 1b ? ĩ e © & P x Ç73É +^k † x © & F >, 5‡ @ í,° c 0 Â n x Ú l : * < >	œ,

Á -	B40AC0&	B40Aq?· » ĩ Â?· "x	B4,
	(ÿ#w ;	¼@(ÿ#v6, PF%í ě ž)â EAü, (ÿ#w, PAÚ , Â (ÿ#w0 b1x< ¶ 73 Ê+^, (ÿ#wQ æD Q P > 730 Ä 1 x Czĭ , AôA(ÿ#w' P = ' (ÿ#wAô= Â F' P,° n ù ¶ 73>	œ,
	(ÿ#wØ m C x	¼@(ÿ#wØ m C x ' » ĩ =(ÿ#w7 P Ø CGL Ç Â Ø C/r D"ÖFPi # Ç P I Lü(ÿ#wØ m ¥ , Ô*<F EÉØ mAØ P x = : *<F EÉØ m ĚAÿ= ' Ø m©31315 ' 850 =5* Ú Ø m©31>	œ,

N-í Ô-

N-í Ô- e b l P 6 D,° ÔD+] • œ)â8, , ?· AÚU:s Ô • 6èG =CXuG © Ä E c1•
6, P œWœ+UÔ-1x< Ô# F,° ? ©?· "x , A÷œ+UN-í Ô-,° í f D - v œl PM~G
,° í f 5Ú 0 b 68* >^ .œ œ+UÔ- qH,° f A , %o œ ÔL{MØ· , FFEýW7 > ' ,
Ô>, <LlĚ ě È œ+UÔ- >FFEý7 PN-í Ô- , œ+U73* \$' › f ¼@(ÿ#w7 P -. © C
x í f,° ')â 1 Â1x<?· "x , 'Ö ě 7 P+UY5 :[#qPEý0A, D.œ(ÿ#w. © í f,° ' ,
1 x D6, CYy Lt, 73U+^v œ AüÂ ¶ 73@ é ÔL{ ' L\$Ní , œP D ð-. : D> ' , G
1 !™œ,° é Þ?ø+ D g P 7 Ü >

' ? µB40AS u

GW• 7 -F ©æ, c 3(8"/t P q • S) p = 2 , 0% ° 0 SuB40A B4
0AS u] r v , ÞF ž Ž ž Eý0Až ĩ f ? ž 6èð , Ô)æS) u"ñ • 6èD ¶ e ¶ 73
/ ±,° ? p5 6 >5 > GWœ+U~ &i , QæS uB40A• œWE > p L I PB4• >1 í G
ð EAü, 5 > PAxÁ x l P ð f / ±(&i Â l P73Ñ3VC?· "x , é*<" 6L B40A^a a,°
S) u"ñ • 6èy3V, [l PB40AµE^{3,°} S) u"ñ • 6èÖ73, Þ Þ l PB4• œD S) u
"ñ*<AðB4• œß] ü5 > = B G B>, >" f • > ^ =B4, ?· l Ð í 6è-\$ = , < í 6è• 6è\$M
FEÄ n,° • 6è• œž Eý0A> • 7 í 6èp ~ À/t P q • n ù - r ?ø%31=Ä) • 6è• œ
ž Eý0A K 2 œ+UG1 c 3(8"/t P q • § B*<) Nø"G 2ð" =, 2ð" =é Þ2ð" =
é W2ð" , • 6èK 2 œ+U= P é Þ = @H é Þ Öp (g í ø P =B Ô ¼ = ÿ#78 Á =
Ø?øø!™= • 7 ü OpH &i,° 6, PF%ó • 6è>

w = Ô ó LÒ

q? ; " > CŁUC = • œAôó = • œC\$Æ = • œi # = œ-Aú- = C'H 1x* < 1• i M̄ >
 ' 6 μ > CŁUC

o π • 6èGN·9,° Ec1•6, P œW• > | P = ü F Â E c1•6, P œWAõπ = ü F,°
 ? ©?úĐ, F >, • > LUC 0Aô, >* < Gf5π > C\$Æ | PB40AI 1 • > ð, - c
 ð p Q 4YÀè >, ð p c 4YÀè >, ð p ß* < Àè >, • > G3- = 8¥³,° > í Â4pDáœ-
 73Ñ, b0 @° œ¼, - ? P b | P ¶ 73A÷œ, } p > Á • >, A÷" f •
 >" a 6!W,° | P } 5 5# • 6è >

6ŽB- Á(ÿ#w Þ = Gf7 = F EÉ • ' ,° | P ¶ e ð Ž' p² 6, • > > 7 P² 6, •
 > e 7 P,° ¶ e q1xL ¶ e Pp" , Á | P ¶ e ' Zª @, J - = ÔD+• œ73Ñ >
 FFEý:s Ô • > ^6, F \$ ÂF 7 P ÔD+ | Ü, 6 < | P 0Aô = B40A0Aô1•FJ°, Ô)æ
 • >,° | P* < Að'j © Q D ÔD+ ¶ 73 Q-. 5 >, W» / ± Â WL / ±-. 5 >, } •
 > • œ | P 73Ñ >

(ÿ#wC x D1x* < | P | 1 • > û ë > ž

Å -	C] a	6, 0&	GL < f
	:Á8H	©	Q Aè	¥ WKμ
	L~_	©	Aè >	Ô ç Ú q 1
	Mœ.	©	Aè >	Ô ç Ú ¥ q 1
	L~•	©	Aè >	ÔAã: ¥ q 1
	C«%o•	©	Q Aè	Cn• .J 4ú
	í 0 í	©	Q Aè	Cn• .J 4ú
	L~Í 9'	©	Aè >	Cn• .J 4ú
	E Ñ	©	Aè >	Cn• .J 4ú
	TúR R	©	ß Aè	Cn• .J 4ú
	L~#ë	©	ß Aè	Cn• .J 4ú
	Q.]. œ	+m	ß Aè	Cn• .J 4ú
	V D8é	©	?÷- U • >	Cn• .J 4ú

Öp > CŁUC 0Aô

Ôó | P \ j ð p n ù,° | P • œ LU0AôWE, < • œ = • .J • o = / Aã69n
 1•4é > LU0Aô > FFEý3 » F \$ œ- = q 7 | PB9J = ø DB4NÍ.J 0- = ÔAãÚ 0AôÂ /
 ±Pp" • > 1• i E / ± | P \ j ð >

Öp > 3VC^ | P • œ LU0Aô

I Ð Â Â ° I P • > A 7 P ÔD+K&ð1x* < Ô# , 01 ?ú99,° > Á • > AÚÐ69
 n p l , H&i / ± > Á • > > • > FFEý/ Aã, 69 6, 0&A÷œ, " a ? ` > f 7
 P ø D ÔD+>

Öp > í > O 0Aô

Â ° > í 69Aúl Ü < > í > ž)æ' p • > 6Ž1 Â69n,° Oì? » i > FFEý~F > ž!
 K 2 • > 6, P+U#â < , ~ F • > 8 G4Ü • = 8 G%öç = 8 G < ,° p l , µ • > • Ð
 6, P i G , (g í ç P , Ô p ñ Á6, P • 6è,° 9™@ µ = µ ³ U >

Â µ • œAôó

W» I P ÔAãÚ

G W(ÿ#wC x D1x* < I P § ? L** < Ô 6 %oL ÔAãÚ , p(ÿ#wC x D1x* < I P • œ
 ÔAã Ñ ¼.ç , 0.v LÒ>

W» ÔAãp v	q? · ÔAãAô =	q? · ÔAãN-\$	73ÑAã4ù-\$ =
(ÿ#wÔAãÚ	° 73 F?Eœç < Q Eœç #è Á Ž- Eœç +k† F?C]i , 5) • 74p1% : 06 P ¥315 , ÿ Eœç)æ (ÿ#w52 > ' P ÔAã)æ (ÿ#w52 > ' P ÔAã, P ' P , F EÉ' P , Gf7' P

WL ÔAã0 f

WL Ô - = ÔAã • œ0 f e W» ÔAãÚ,° û? · > { , Oì ~ Ê > 5p W» ÔAãÚ ^ • > =
 Aô = Â Ô - » i i M,° CCé, WL Ô - 0 f ? · Ñ-U Ô í f %Ô ó Eý0A%PÂÔ - LAã
 4ù >

Å -	ÔAã0 f C0&
	/Å 0 „ MÈ6Š5†0 ¶ ? L†ç .
	/Å 0 [\ 9l , ? L†ç .
	/Å 8!™f ? ¥0 ¶ ? L†ç .
	/Å N°f FUFH
	/Å - E¿ÿ#w

? µ • œC\$Æ

• † [r ?' ? ©?úÐ ^ 3 i ?úH • †99* » F?+^ , ñ [r ?' œW?úÐ,° x - #w
 0A ' , ©+g64ô • > F? • † , f • .J4úKµf • x : x x x - > ^ 4 œ½)d = i • Cz
 \$Æ M, +g • .J4úo ð ÔL{MØ · 0 µ+^? · "x , +gœW • x : = 4 œ01Â q x G L o ð
 ÔL{ û ë52 > x - = Gf = , %Cé • œMØ · > œW4 œ0¼š ?] H < œÂ ½)d Czí , F

Gf= ?F > 5†5 ,° AxÍ p , 73%Céœ+Už M~/ ± = • 0 .J ' = I P 0 Ađ1•,° Mđ . , ĩ
 õ >+UUL; = B > • œCž\$Æš á D _+^ÆF?+^3 ì Cz\$Æš á B40A• œCž\$Æš œWAxH
 Ñ ^ 4đ 6 t B40A, Ñ • > Â œ+Uđ @μ+^>-\$ f SB μ+^C»U œ-FP= œW 0RRGH
 • œ© &1•5†5 © & p œ+U= • > Ñ • œCž\$Æš

b l P v+^• † , A>žÆ

B40A 2±Á	B40A	• † C0& q5L	0(~ ‹ f
	6, P+U#â?úH	E6, P+U#â?úH´ 1bÊ(~ μ F:Á y © q 5L	Q 1•• 6è0 (~/t
	6, PF%ú D# Á	E6, PF%ú D# Á´ 1b (~ μ F V U q 5L	Q 1•• 6è0 (~/t
	5 #,, u"ñ D/t P	E5 #,, u"ñ D/t P´ 1b (~ μ F"3CÀ= V %Q q5L	M â >99] œ0 (~/t
	(œD ð+U	E (œD ð+U´ 1bÊ(~ μ F)ÁM7q5L	Q 1•• 6è0 (~/t
ø	ù* < › í	E ù* < › í F 38¥q5L	Q 1•• 6è0 (~/t
§ 0	B#½	EB#½ FÁ 0-7 c 1•6, P œWœP"j © #•B = 2+^œ5L P5L	T£'• 0 (~/t
.v B4 0A	ı œ	E ı œ0.v W• F• † ‹ .J 0~v 4ú5L E ı œ ‹ W• F• † ‹ .J 0~v 4ú5L	Q 1•• 6è0 (~/t
	9' B#	E9' B#0.v W• F• † ‹ .J 0~v 4ú5L	Q 1•• 6è0 (~/t
	¥ ¶ e	E ¥ ¶ e F´ 0.v W• μ » Eİ (=Bc 0 U =)Á = 3 =%ž%Êq 5L	+k † P 0 (~/t
	¼(E c 3 ¼(F g"• 3 q5L	Q 1•• 6è0 (~/t
	%6èD › í	E %6èD › í FG Đ F q5L	Q 1•• 6è0 (~/t
	8° e	E8° e F• † ‹ .J 0~v 4ú5L	Q 1•• 6è0 (~/t
	(ÿ#w0.v	E(ÿ#w0.v´ 1bÂ(~ μ F" 8©s q 5L	Q 1•• 6è0 (~/t
I P n ù B4 0A	(ÿ#w0.v	E(ÿ#w0.v œ- = 2 D4ù- F' 8©s q 5L	Q 1•• 6è0 (~/t
	(ÿ#wAô= ,	E(ÿ#wAô= , F N ...q 5L	

B40A 2±Á	B40A	• † C0& q5L	0(~ † f
	8 p:[K60.v	8 p:[K6Ô x" 8@s q5L	Mâ* <] œ0 (~/t
I P ¶ 73 B40A	pGf7Ô x	E P' P Ô x FG ç q5L	Q 1•• 6è0(~/t
	pGf7Ô x	(ÿ#wGf7Ô x ' 1b (~ µ „ #-"G q5L	Q 1•• 6è0(~/t
F? \$ B40A	! FH0.v	E ! FH0.v F V ..MTq5L	Q 1•• 6è0(~/t
	! FHÔ x	E ! FHÔ x FL~Lúû q5L	Q 1•• 6è0(~/t
	+k† x 0.v	+k† x 0.v ' #qN«E • † µ ž 38¥q 5L	Mâ* <] œ0 (~/t
	(ÿ#w ;	E(ÿ#wx* <6, P ¶ 731•4YAUA÷• † ' S 4Yµ ' 1b (~ µ F M â c(ÿ6Šÿ#wGyCc / Aãc ù q5L	"•9 & • 6è0 (~/t
	(ÿ#wØ mC x	E(ÿ#wØ mC x FG ç q5L	Q 1•• 6è0(~/t

' µ • œi #

G1)æ 6, P • 6è?ø, oMÿD)æ c1•6, P • 6èC-. F8Ê,° • œi # > | PB4• œ
?• 6, P í f 73Ñ,° ?• "x , p L* < AðÔD+6 %oL , 0• 0 • c œ= • c • ,° 6, P • 6è
• œ" 8" > o • > p c ù,° • œi # , Ê µ > +UF p • œ° § B q %o> ÊB 5 > œ
0 DB40AÔL{ , s %73PF?+^6 Ñ æ° • œi # , QB48 • œ° ? ~] , , ~ Á •
œ# = @8" x%# = 1 xPŞP# = E4ú> ' • œ# = W • œ# e E = Ø0~E =
AFAðE = ø D E • œ# 1• > P µ 61EçB48 = \$- > E • œ= * < Ô 6 %• œ1• æÁ • œWE
,° Ê+^, P PB48 • œMÿ³ > W> +U = +U+U • L*,° PEi È P > !š L , c6, • œ° C x
] é Ð ¼ Ê %? P0 P m,° • œi # D• -. F8Ê , # H P# 5 > , È-. Gf> µ+^, Eô
f 6 N,° • œ~ Ö >

^ nB48 • œ• L , F Ê5 > A C B x M~ÂN¼ F?+^ C B,° • œi #

í 6è• 6è, í 6è ' e t ^ Oì f,° ' , Ê Ö p(g 3 q • ÂLü%oq • • 6è> • 7
À1 í Gð ' p o b 1 x , 75#\$' L ? ž 6èð 52> oMÿ, À1 í Gð = Ñ S) F%b
• 6è = ½ L. Aü• 6è = ¶ e ¶ 73/ ± =/t P ÔD+• 6è:)â8, > í 6è• 6è Ê !™M,° ~ Á
• œ# p q >

1b ÂB48 6 † a CÙE4ú#qP , f œ+U° P • +U#q, } œ+UI P ¶ 73>
1b ÂB48 Ê E4ú> ' • œ# p q >

$\hat{O}D+] \cdot \text{œ}_s$

Ç } Î • E-0; Aô' >~

*# 4Ý			C	
Ô- < f			í f	
q1x C			6Š31+kB	
Aú< ž U		a > 8) >		
Nf\$		† 69Aœ = ü	N	8¥ > r C > r
0		- !W @, LF f F6 !W @, L Á } _ @, Ax C > r ...õ+UA L*# D ? , õ 8C, F ^ !W @, L R C ^ õ !WAx C > r >		
' 7 Ü		' '# û , AÚUCUCY, 7 Ü8¥³ > ° Ä ... ' , @HN½ DB Á >		
ï >ž		ï >žª #7, o ¢ 7 P?·"x-v>û, C , Á1\ > œW?úĐ >		
' 3V±		73F +^v œ Aü, @ é ' c,° L\$NÍ > ? ?·"x Á F 1 x > ...õ+Uq pª * < õ 8C, 7 õ 8Cj +Uª #7 >		
¿ ž +UÝ		[r F«¾ ' ?úOA, F ?ú ' > CPQk PEœ C n' = C ÓG^> ` õ Õ KC- ¿ ž Á { bN C Í < > ...õ+UF«¾ õ 8Cj x *<?úĐ =?ú99+^k =+^"J =+^"j , # E : N ¿ ž ÁN >		
52>Aú-		' ^ / ÉAú- 0° r %Jßµ		
		F f !Wµ	F6 !Wµ	Á } ' _ µ
				+û } ' _ µ
				- ' _ µ
q1xAú-		52> >AúÆ' N/ö > r C > r µ		
		GL q1x1' • Æ		
		Ô- < f Æ	' - 1 µ	a >

=# Æ Ô- F5 N < @, > r < @, C > r < A >

/i 2] 1y6| J - Q - + 5, 8 Î • HαÉAô6>~

œWC0&Æ /Å | Cr6, P c | œW | P C0&Æ

C] a		œ-	
Ô - < f			Ô - , L*	a > 8) >	
Ô - N^- \$ = » i ' 0 μ					
` ð Ô - E 5					
Ô - \ LU • > E ? ÷					1' • Æ
Ô - < f E ? ÷					
Ô - = 2 • > ' 1' • μ Æ			Ô - < f ' - 1 μ		
a >			a >		

£ µC^H 1x<

F1 ¼œWC^H 1x< Ž P

^ œWC^H 1x< Ž P- -™= 2 A , / I P 0AôÂ • œ ' Ô ó ž Eý0AC^H - Ý ,
.x ð f / ±C^H ,° 0i!> Q >

ÖpC^H 1x<

o x œWx Ð,° • œ= ü , • œ» i F? =B40A• œi ~AôÐ = • E»Cžĭ 5Lĭ ,
f ÔPÂÔAã= F5 69n1• : ` • œ)â8, , [r À C^H = ü Â ' ?ú99, FFEýC^H - #•
ÂAú-,° à)â ,.x • œC^H 0i!> } >

ÔD+• œ0 f ,° C^H ö#•

p A÷ÔD+• œ0 f ,° !™nF >, Â?ú99 Q , Ð U / ÔD+• œ0 f F >, C^H F >, ö
#•5* Ú , A÷ÔD+• œ0 f 73%CÁÚ ?÷- =B40AÔAã=52> ÔAã=" P Ô - ð f / ±
,° M6x ,.x ÔD+• œC^H 0i!> Q >

6 < I P DB40A0AôC^H Aúf ' ,

œWC^H 1x< Ž P D • x0 ...B I Ð I P 0AôC^H Aúf i ~ ÂB40A0AôC^H Aú
f i ~ , • .J Ú4ú4ý8 , I D œWC^H 1x< Ž PAúf ,.x I P 0AôÂB40AC^H 1\
>-74Ýp99WÂ 3 i NC^c6, œW?."x ,.x ð f / ±C^H 0i!> Q >

w 6 =" P?."x

" P?."x e œ+LFFEý?úÐ^a Lt,° œ- , N±\$% I P ð f / ± i ~ v?úÐ,° œ, œ
< , Â F?úÐ,° • œ#qP , " P , ÉEôf ,° 3VC^=. AúÂ73Ñ1• i M?."x > œ+UÂ F-.

ÉB40Aœ- , -B , - = , A — , i %" P Æ

FFEýB40Aœ- , 3eAxœ<Eô < @Ç

FFEýÁ 0-7 c 1•6, P œWœ+UœP"j ©> r] 69B ç § 0 .v. Aü= I P 0.v.

Aü1•0 -\$#•B , F5 ' 4Ý @Ç

FFEý5 64ú4ý,° I P ¶73#•B , F5 ' 4Ý @>

w Â =Lz <